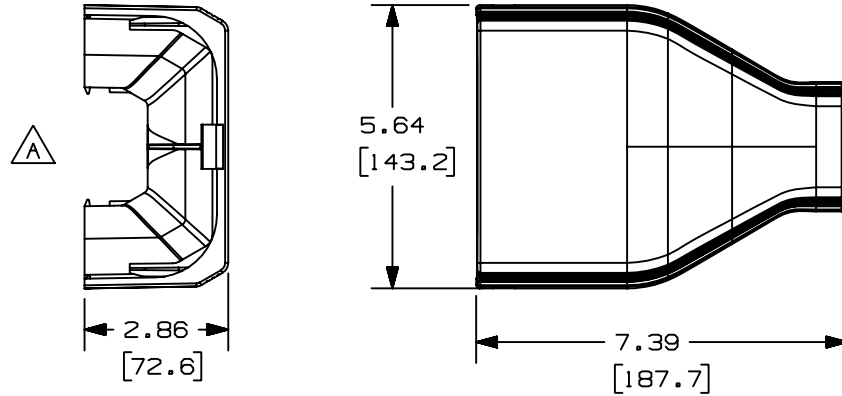


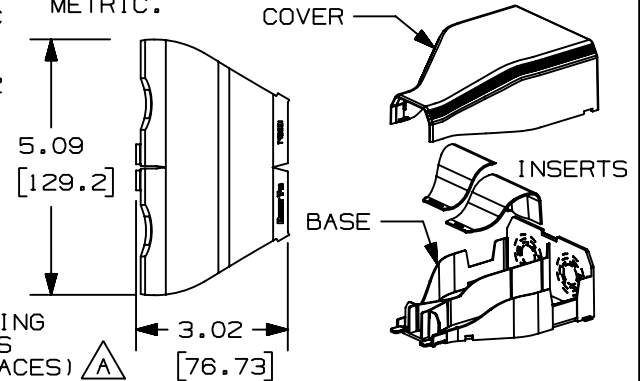
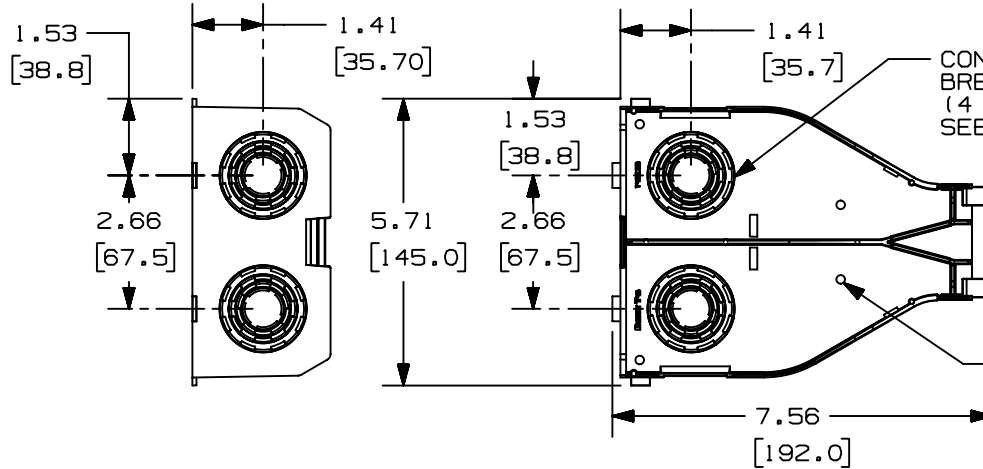
THIS COPY IS PROVIDED ON A RESTRICTED BASIS AND IS NOT TO BE USED IN ANY WAY DETRIMENTAL TO THE INTERESTS OF PANDUIT CORP.



PANDUIT P/N	WEIGHT
T45EE	8.0 LB/10 PCS (3635 g/10 PCS)

NOTES:

1. SEE CURRENT CATALOG FOR ADDITIONAL PART SUFFIXES TO INDICATE COLOR AND OR PACKAGE QUANTITY.
2. CONCENTRIC BREAKOUTS TO ACCOMODATE CONDUIT SIZES OF 1/2", 3/4", 1, AND 1 1/4" DIAMETERS.
3. BREAKOUTS FOR MAINTAINING POWER AND DATA ENTRY SEPARATION.
4. THIS PRODUCT INTENDED TO BE USED WITH PANDUIT TYPE T-45 RACEWAY.
5. DIMENSIONS IN PARENTHESES ARE IN METRIC.



CAD FILENAME/LAYERS D36975EG_DC_T45EE_01A.PRT

PANDUIT CORP. TINLEY PARK, ILLINOIS
T-45 ENTRANCE END FITTING (T45EE)
 CUSTOMER DRAWING

UNLESS OTHERWISE SPECIFIED, DIMENSIONAL TOLERANCES ARE:
 (.X) ± (.XXX) ± .005
 (.XX) ± .010 ANGLES ± 1°

UNLESS OTHERWISE SPECIFIED, ALL DIMENSIONS ARE GIVEN IN INCHES, THIRD ANGLE PROJECTION.

REV	DATE	BY	CHK	DESCRIPTION	ECN	R	CUST	SUP
1	02-13-04	JBN	PM	A. REVISED DRAWING LAYOUT; ADDED VIEW AND DIMENSION	36975-71	RGRO	RGRO	
R	11-29-99	RABO	HIW	RELEASED TO PRODUCTION	36975-71	HIW	HIW	

DRAWN BY RABO
 DATE 11-29-99
 CHK'D KJF

MAT'L: SEE NOTES ABOVE

SCALE FULL
 DRAWING NO. 36975-71
 DWG SIZE A